

August®

User Manual

MB290



August International Ltd
Rawmec Business Park
Hoddesdon EN11 0EE
United Kingdom
T: +44(0) 845 250 0586
(Carrier Rates Apply)
E: service@augustint.com

EU Distributor:
Daffodil Germany GmbH
Bayernstr. 10
D-30855 Langenhagen
Germany
T: +49 (0) 511 97812978

www.augustint.com

EN Hand Crank DAB / DAB+ / FM Outdoor Bluetooth Radio

FR Radio DAB / DAB+ / FM à Dynamo Bluetooth Extérieure

DE Radio mit Handkurbel / DAB/ DAB+ / UKW/ Bluetooth

IT DAB / DAB+ / FM con dinamo Bluetooth per esterni

ES DAB / DAB+ / FM con dinamo Bluetooth exterior

PL Zewnętrzne radio na korbkę z Bluetooth DAB / DAB+ / FM

User Manual

Thank you for purchasing the August MB290 Hand Crank DAB/DAB+/FM Outdoor Bluetooth Radio. This user manual is designed to familiarize you with all the features of this device. Please take the time to read this user manual carefully, even if you are already familiar with a similar product.

Safety

To ensure the safety of you and others, please read the Safety Instructions before using this device. Please do not disassemble the product, it can be unsafe and will invalidate the manufacturer's warranty.

Disposal

Please ensure the product and accessories are disposed of in compliance with the WEEE (Waste Electrical and Electronic Equipment) Directive and any other regulations applicable to your country. Always check with the environment agency and any other relevant authorities for current disposal regulations.

Declaration of Conformity

The Declaration of Conformity can be found on our website at <http://augustint.com/en/declaration/>

Customer Service

You can contact us by phone on: +44(0)845 250 0586 (Carrier Rates Apply) or by email at: service@augustint.com should you require further technical support or customer service.

1. Safety Instructions

- 1) Do not use this device near water.
- 2) Clean only with a dry cloth. Switch this product off before cleaning.
- 3) Do not install near any heat sources such as stoves or other device that produce heat.
- 4) Only use the accessories supplied by the manufacturer.
- 5) Do not open the device, as this will invalidate the warrant.

2. Main Features

- DAB/ DAB+/ FM Enable radio with Bluetooth
- USB-C/ Hand crank/ solar rechargeable battery
- LCD Display with power bank, SOS alarm functions
- Powerful high and low beam torch flashlight

3. Box Contents



MB290

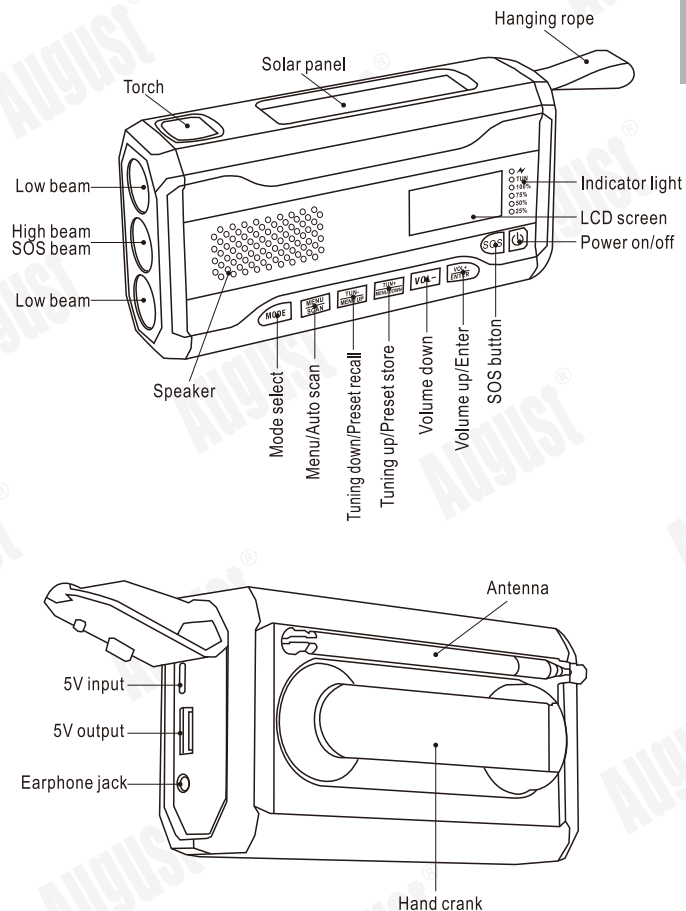


Type-C cable



User Manual

4. Part Names and Functions



5. Operation

5.1 Power on

- Press and hold the button < ⏻ > for 3 seconds to turn on the radio and enter standby mode. The screen will display the date and clock.
- Once in standby mode, press the button < ⏻ > again to turn on the radio.

5.2 Power off

- Press the button < ⏻ > to enter standby mode. The screen will display the date and clock.
- Press and hold the button < ⏻ > for 3 seconds to turn off the radio.

5.3 DAB Radio

- Press < **MODE** > to select DAB mode.
- In DAB mode, press and hold < **MENU** > to start scanning all DAB stations, and press < **TUN+** > or < **TUN-** > to change the station.
- Press and hold < **TUN+** > to store the playing station in the preset list. Then press < **TUN+** > or < **TUN-** > to assign a number to the station. Press < **VOL+** > to save your selection.
- Press and hold < **TUN-** > to recall the preset stations, press < **TUN+** > or < **TUN-** > to select the station number. Then press < **VOL+** > to confirm your choice.
- Press < **MENU** > to enter the DAB menu setting.

5.4 FM Radio

- Press < **MODE** > to select FM mode.
- In FM mode, press and hold < **MENU** > to start scanning all FM stations. Only the first 30 stations will be saved automatically in the preset list. If you want to save other stations, you need to manually replace the stations you do not want to keep.
- Press and hold the < **TUN-** > to recall the preset stations, and press < **TUN+** > or < **TUN-** > to select the station. Press < **VOL+** > to confirm.
- Press < **TUN+** > or < **TUN-** > manually tuning by 0.05 MHz step.
- Press and hold < **TUN+** > to store the playing station in the preset list. Then press < **TUN+** > or < **TUN-** > to assign a number to the station. Press < **VOL+** > to save your selection or replace the existing one.
- Press < **MENU** > to enter the FM menu setting.

5.5 Bluetooth Connection

- Press < **MODE** > to select BT (Bluetooth) mode.
- Use your smartphone Bluetooth settings to search “MB290” and select it to pair. Note: Bluetooth volume can be low, make sure the volume is turned up on both phone and Mb290. During music playing, press < **TUN+** > or < **TUN-** > to change the next or previous song.


Note: Bluetooth volume can be low, make sure the volume is turned up on both phone and MB290.

5.6 Menu setup


- Press < **MENU** > to enter the menu setting, you can set date/time, brightness, sleep time, and OSD language. Press < **TUN+** > or < **TUN-** > to move up and down, then press < **VOL+** > to select the option.
- The date/time will automatically be updated when the DAB signal is in service.


The device will automatically switch off after the factory reset, please follow the power-on procedure to reboot the device and search for channels.

5.7 Indicator light

- There are 6 indicator lights on the right side. Up to down: Charging indicator, Signal indicator, Battery power indicator 100% battery, 75% battery, 50% battery, 25% battery.
- Signal Indicator: The < **TUN** > light indicates the strength of the signal received. The brighter the light the stronger the signal. Charging indicator: The <  > charging indicator light will flash red when the crank generator charge the battery inside. (The charging indicator light will change with the charging current strength).
- Battery power indicator: The light will flash blue when charging or discharging. When the battery level exceeds 25%, the first blue light (25% position) changes from a flashing blue light to a constant blue light, and then the second light (50% position) will flash blue light, and so on until the battery is fully charged. After MB290 is fully charged, disconnect the charging cable, the LED light will turn blue on 30s, then off.

5.8 Torch

The torch has one high beam and two low beam flashlights. During the radio is on, press <  > on the top once to turn the high beam light on. Press again to turn the low beam light on. Press one more time to turn all lights on. Press a 4th time to turn off the lights.

Note: To turn the torch on when the radio is OFF, press and hold the <  > button for 3 seconds.

5.9 SOS Alarm

Press and hold the SOS button to sound the alarm and at the same time. The torch will flash the SOS Morse code signal.

5.10 Charge external device

Insert the USB cable into the USB port on the side of the MB290 and connect to others devices. The radio will go into charging mode and help to charge your device.

Note:

- This feature is only for charging USB devices during an emergency or outdoors, don't use it as a normal power bank.
- When the radio is fully charged, it can support a 2A charger for the most device.

5.11 Charge the radio

Warning: Before charging the radio, make sure you have read all the following instructions carefully.

5.11.1 By USB Power Source

- To charge the radio, insert the supplied USB cable into the USB power source. Plug the type-C connector into the input port on the side of the radio.
- When the radio is fully charged (takes 2-3 hours), the Indicator light will be on blue for 30s and then off.

Note: It's advised to turn off the radio when the device is being charged.

5.11.2 Hand crank dynamo

The radio can also be charged by turning the handle on the back to activate the dynamo.

- The handle can be turned either clockwise or anticlockwise. The < ⚡ > charging indicator light will light up when the handle is being turned.
- When using it for the first time, keep the handle rotating at 130-150 RPM for 3-5 minutes. Two minutes of rotation will give you 10 minutes of radio play or 30 minutes of light.

5.11.3 Solar powered

The radio can also be charged by the solar panel on top. Try to place the device in a sunny place to allow it to charge as efficiently as possible.

The charging effect depends on the strength of the sunlight, the stronger the light, the better the result.

Note: It is difficult to fully charge a device with an empty battery with solar panels, which are mainly used for maintaining the battery.

Safety Instruction:

- When the radio is used for the first time or left unused for more than 60 days, place it in strong sunlight (>86000 LUX) for 30 minutes or hand-crank it for one minute to activate the battery.
- When using the radio, please do not over-discharge the battery as this may reduce the life of the battery and even damage the rechargeable battery.
- When cleaning the surface of the radio, use a soft, damp cloth and do not use alcohol or other liquids containing corrosive ingredients to clean the product.
- The device is not waterproof and is only resistant to fog or raindrops. Do not immerse in water.

6. Specifications

DAB radio	170-240MHz
FM radio	87.5-108MHz
Bluetooth	Version 5
Speaker	Max 3W
Display	LCD screen
Battery	4500mAh
Battery life	Up to 80h (Bluetooth) Up to 50h (FM) Up to 35H (DAB)
Input	5V 2A
Output	5V 2A (max)
Flashlight	3W
Antenna	57 cm extend

7. Warranty

This product is guaranteed for twelve months from the date of the original purchase. In the unlikely event of any defect arising due to faulty materials or workmanship, the unit will be either replaced or repaired free of charge (where possible) during this period. An alternative product will be offered in case the product is no longer available or repairable.

This warranty is subject to the following conditions:

- The warranty is only valid within the country where the product is purchased.
- The product must be correctly installed and operated in accordance to the instructions given in this user manual.
- The product must be used solely for domestic purposes.
- The warranty only covers the main unit, and does not cover the accessories.
- The warranty does not cover the damage caused by misuse, negligence, accident and natural disaster.
- The warranty will be rendered invalid if the product is resold or has been damaged by inexpert repairs. The manufacturer disclaims any liability for incidental or consequential damages.
- Please consult our customer adviser before returning any product; we are not responsible for any unexpected product returns.
- Any faulty product must be kept and returned in the original packaging with all the accessories and the original copy of the purchase receipt.

The warranty is in addition to, and does not diminish, your statutory or legal rights.

Customer Service: (Carrier Rates Apply)

Telephone: +44(0)845 250 0586

Email: service@augustint.com

This product is in compliance with the essential requirements and other relevant provisions of Directive 2014/53/EU. The Declaration of conformity may be consulted online at <http://www.augustint.com/en/declaration>



Industry Canada Statement

This device complies with Industry Canada license-exempt RSS standard(s). Operation is subject to the following two conditions: (1) this device may not cause interference, and (2) this device must accept interference, including interference that may cause undesired operation of the device.

Note: This equipment has been tested and found to comply with the limits for a Class B digital device, pursuant to part 15 of the FCC Rules. These limits are designed to provide reasonable protection against harmful interference in a residential installation. This equipment generates uses and can radiate radio frequency energy and, if not installed and used in accordance with the instructions, may cause harmful interference to radio communications. However, there is no guarantee that interference will not occur in a particular installation. If this equipment does cause harmful interference to radio or television reception, which can be determined by turning the equipment off and on, the user is encouraged to try to correct the interference by one or more of the following measures:

- Reorient or relocate the receiving antenna.
- Increase the separation between the equipment and receiver.
- Connect the equipment into an outlet on a circuit different from that to which the receiver is connected.
- Consult the dealer or an experienced radio/TV technician for help.

No Unauthorized Modifications: Do not make any changes or modifications to this product without the prior express written approval of August International Ltd. Any changes or modifications made without express written approval could void the user's authority to operate this product.



For details of further relevant technical standards, please contact us at the address above.